

DAF 6X2 DENNIS EAGLE EURO 6 + WEIGHING SYSTEM

COMMON

Price	€ 22.950,- ex VAT
Id	DA039211
Make	DAF
Type	6X2 DENNIS EAGLE EURO 6 + WEIGHING SYSTEM
Year	2014
Mileage	474.356 km
Construction	Garbage truck
Gross weight	27.000 kg
Emissionclass	6

PROPERTIES

First registration date	09-12-2014
License plate	64-BFK-6
Fuel	Diesel
Transmission	Automatic
Vehicle identification number	XLRAGM4100G039211
Axle configuration	6x2
Axle count	3
Weight	15.675 kg
Cylinder count	6
Power kw	210
Power hp	286
Wheelbase	535 cm
Construction dimensions (l/b/h)	
Load capacity	11.325 kg
Length	960 cm
Width	255 cm

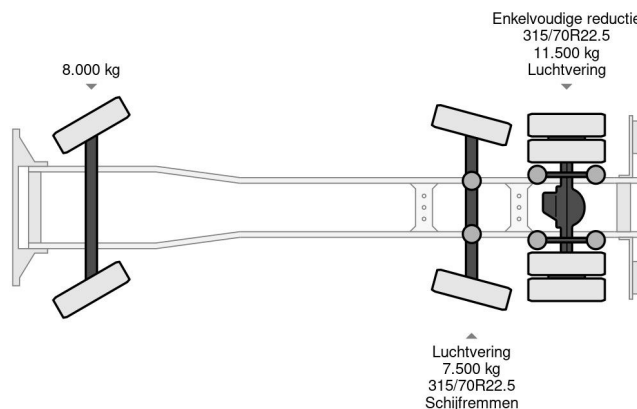
ACCESSORIES

- Air conditioning
- Anti-lock braking system
- Anti-lock braking system
- Central locking
- Cruise control
- Electrically adjustable door mirrors
- Electrically operated



DAF CF 290 6X2 DENNIS EAGLE EURO 6 + WEIGHING SY...

Referentienummer: DA039211



DESCRIPTION

VIDEO AVAILABLE