

# Scania 6X2 - HIAB 422 ED-5 + REMOTE + LIFT/STEERING AXLE

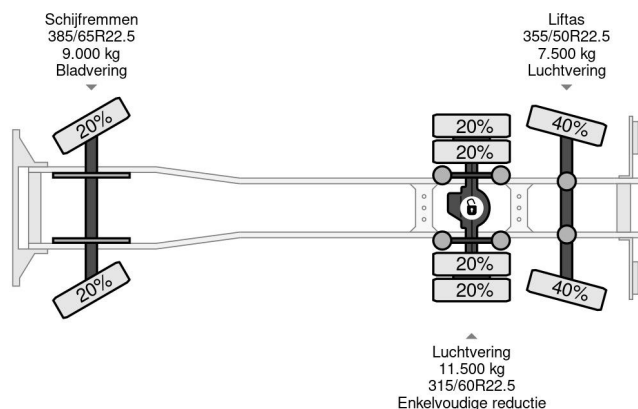
## COMMON

|               |   |
|---------------|---|
| Price         | € 39.750,- ex VAT                                 |
| Id            | SC180986-K  |
| Make          | Scania  |
| Type          | 6X2 - HIAB 422 ED-5 + REMOTE + LIFT/STEERING AXLE |
| Year          | 2007  |
| Mileage       | 1.127.298 km                                      |
| Construction  | Crane   |
| Gross weight  | 28.000 kg   |
| Emissionclass | 4   |



Scania P340 6X2 - HIAB 422 ED-5 + REMOTE + LIFT/STEER...

Referentienummer: SC180986-K



## PROPERTIES

|                               |                   |
|-------------------------------|-------------------|
| First registration date       | 07-11-2007        |
| Mot expiry date               | 27-02-2025        |
| License plate                 | BT-LG-03          |
| Fuel                          | Diesel            |
| Transmission                  | Automatic         |
| Vehicle identification number | XLEP6X20005180986 |
| Axle configuration            | 6x2               |
| Axle count                    | 3                 |
| Weight                        | 16.930 kg         |
| Cylinder count                | 6                 |
| Power kw                      | 250               |
| Power hp                      | 340               |
| Wheelbase                     | 606 cm            |
| Load capacity                 | 11.070 kg         |
| Length                        | 1.007 cm          |
| Width                         | 255 cm            |

## ACCESSORIES

- Air conditioning
- Aluminium fuel tank
- Anti-lock braking system
- Anti-lock braking system
- Coupling
- Cruise

## DESCRIPTION

VIDEO AVAILABLE