

MAN 6X2 - EURO 5 + MANUAL GEAR

COMMON

Price	€ 19.950,- ex VAT
Id	MA256010
Make	MAN
Type	6X2 - EURO 5 + MANUAL GEAR
Year	2007
Mileage	684.606 km
Construction	Car transporter
Gross weight	26.000 kg
Emissionclass	5

PROPERTIES

First registration date	08-05-2007
Fuel	Diesel
Transmission	Manual
Vehicle identification number	WMAH21ZZ17W090791
Axle configuration	6x2
Axle count	3
Weight	10.290 kg
Power kw	324
Power hp	441
Construction dimensions (l/b/h)	
Load capacity	15.710 kg

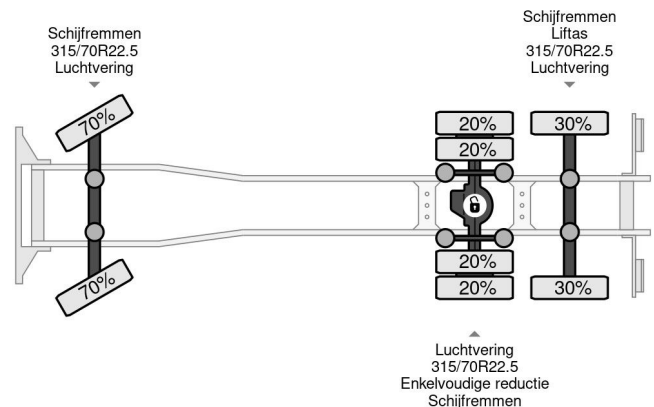
ACCESSORIES

- Air conditioning • Air suspension • Aluminium fuel tank •
- Anti-lock braking system • Anti-lock braking system •
- Central locking • Cruise control • Electrically adjustable door mirrors • Electrically operated windows • Fog lights •
- Heavy duty engine brake • Radio/CD player • Spare wheel
- Speed limiter • Visor



MAN TGA 26.440 6X2 - EURO 5 + MANUAL GEAR

Referentienummer: MA256010



DESCRIPTION

VIDEO AVAILABLE