

DAF 6X2 + KELBERG HANGER EURO 6 ZEPRO + REMOTE RETARDER

COMMON

Price	€ 27.950,- ex VAT
Id	DA037595+KEE18234-2
Make	DAF
Type	6X2 + KELBERG HANGER EURO 6 ZEPRO + REMOTE RETARDER
Year	2014
Mileage	1.010.519 km
Construction	Box body
Gross weight	27.000 kg
Emissionclass	6

PROPERTIES

First registration date	27-11-2014
Fuel	Diesel
Transmission	Automatic
Vehicle identification number	XLRASH4300G037595
Axle configuration	6x2
Axle count	3
Weight	12.110 kg
Power kw	375
Power hp	510
Construction dimensions (l/b/h)	
Load capacity	13.890 kg

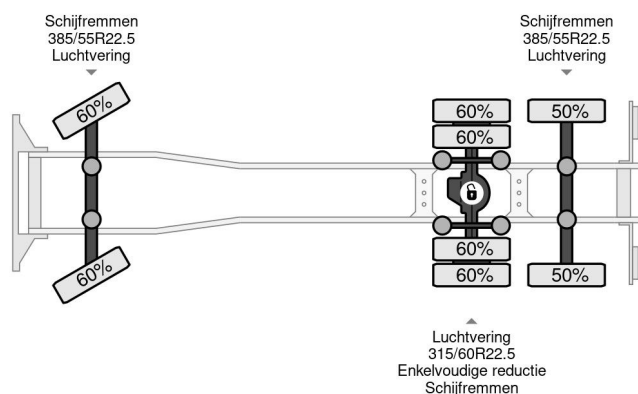
ACCESSORIES

- Air conditioning
- Air suspension
- Anti-lock braking system
- Anti-lock braking system
- Central locking
- Cruise control
- Electrically adjustable door mirrors
- Electrically operated windows
- Fog lights
- Heavy duty engine brake
- Radio/CD player
- Refrigerator
- Remote central locking
- Retarder
- Sleeper cab
- Spotlights
- Toolbox
- Vehicle heater
- Visor



DAF XF 510 6X2 + KELBERG HANGER EURO 6 ZEPRO + ...

Referentienummer: DA037595+KEE18234-2



DESCRIPTION

VIDEO AVAILABLE

KELBERG
D24B3
SKBD24B31EKE18234
BPW AXLE
265/70R19.5
27-11-2014
ZEPROZHD 250-155 MA
2.500 KG
2014