

DAF 6X2 - DRACO MZS 218 HANGER + EURO 6 + LIFT/STEERING AXLE TÜV 10-2025

COMMON

Price	On request ex VAT
Id	DA050179+DR074109-2
Make	DAF
Type	6X2 - DRACO MZS 218 HANGER + EURO 6 + LIFT/STEERING AXLE TÜV 10-2025
Year	2015
Mileage	1.160.238 km
Construction	Curtain sided
Gross weight	27.000 kg
Emissionclass	6

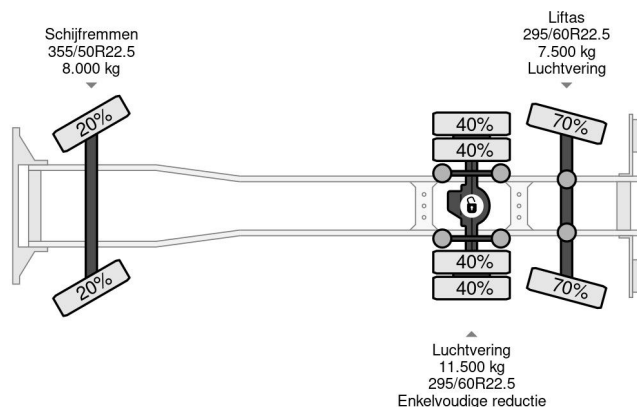


DAF XF 410 6X2 - DRACO MZS 218 HANGER + EURO 6 + L...

Referentienummer: DA050179+DR074109-2

PROPERTIES

First registration date	07-01-2015
Mot expiry date	10-10-2025
License plate	50-BFN-3
Fuel	Diesel
Transmission	Automatic
Vehicle identification number	XLRASH4300G050179
Axle configuration	6x2
Axle count	3
Weight	11.215 kg
Cylinder count	6
Power kw	303
Power hp	412
Wheelbase	670 cm
Construction dimensions (l/b/h)	
Load capacity	15.785 kg
Length	1.060 cm
Width	255 cm



ACCESSORIES

- Air conditioning
- Aluminium fuel tank
- Anti-lock braking system
- Anti-lock braking system
- Central locking
- Coupling
- Cruise control
- Electrically adjustable door mirrors
- Electrically operated windows
- Fog lights
- Heavy duty engine brake
- Radio/CD player
- Refrigerator
- Remote central locking
- Roof spoiler
- Side skirts
- Sleeper cab
- Speed limiter
- Spotlights
- Toolbox

DESCRIPTION

VIDEO AVAILABLE
DRACO
MZS 218
2006
445/45R19.5
2 AXLE BPW 10%-40%
729X248X303CM