

## DAF 6X2 EURO 6 21T VDL HOOK TÜV 02-2025

### COMMON

|               |                                     |
|---------------|-------------------------------------|
| Price         | € 28.750,- ex VAT                   |
| Id            | DA154641                            |
| Make          | DAF                                 |
| Type          | 6X2 EURO 6 21T VDL HOOK TÜV 02-2025 |
| Year          | 2017                                |
| Mileage       | 729.019 km                          |
| Construction  | Hook arm system                     |
| Gross weight  | 28.000 kg                           |
| Emissionclass | 6                                   |

### PROPERTIES

|                               |                   |
|-------------------------------|-------------------|
| First registration date       | 06-07-2017        |
| Mot expiry date               | 08-02-2025        |
| License plate                 | 68-BJS-2          |
| Fuel                          | Diesel            |
| Transmission                  | Automatic         |
| Vehicle identification number | XLRASM4100G154641 |
| Axle configuration            | 6x2               |
| Axle count                    | 3                 |
| Weight                        | 11.955 kg         |
| Cylinder count                | 6                 |
| Power kw                      | 320               |
| Power hp                      | 435               |
| Wheelbase                     | 602 cm            |
| Load capacity                 | 16.045 kg         |
| Length                        | 850 cm            |
| Width                         | 255 cm            |

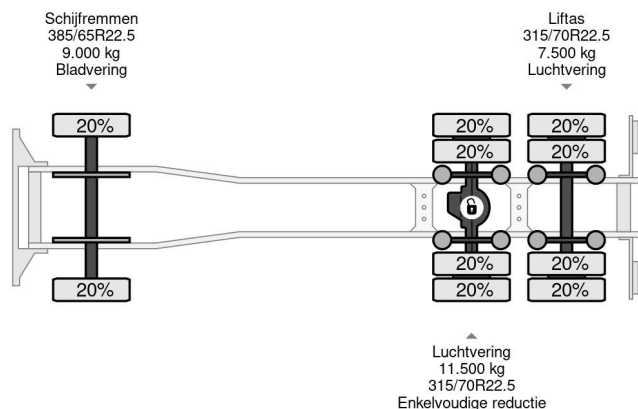
### ACCESSORIES

- Air conditioning
- Air horn
- Anti-lock braking system
- Anti-lock braking system
- Central locking
- Coupling
- Cruise control
- Electrically adjustable door mirrors
- Electrically operated windows
- Fog lights
- Heavy duty



DAF CF 440 6X2 EURO 6 21T VDL HOOK TÜV 02-2025

Referentienummer: DA154641



### DESCRIPTION

VIDEO AVAILABLE