

## Scania 6X2 - EURO 3 + 3 CAMBER + RETARDER + LIFT AXLE

### COMMON

Price	€ 15.950,- ex VAT
Id	SC513113
Make	Scania
Type	6X2 - EURO 3 + 3 CAMBER + RETARDER + LIFT AXLE
Year	2004
Mileage	304.625 km
Construction	Tanker
Emissionclass	3

### PROPERTIES

First registration date	08-10-2004
Fuel	Diesel
Transmission	Semi-automatic
Vehicle identification number	XLEP6X20004513113
Axle configuration	6x2
Axle count	3
Weight	11.375 kg
Construction dimensions (l/b/h)	

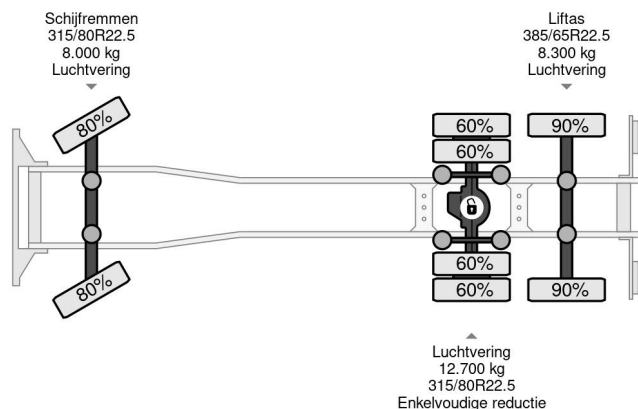
### ACCESSORIES

- Air conditioning
- Aluminium fuel tank
- Anti-lock braking system
- Anti-lock braking system
- Central lubrication
- Cruise control
- Electrically adjustable door mirrors
- Electrically operated windows
- Heavy duty engine brake
- Radio/CD player
- Reversing camera
- Sleeper cab
- Speed limiter
- Spotlights
- Toolbox
- Visor



Scania P114-380 6X2 - EURO 3 + 3 CAMBER + RETARDER ...

Referentienummer: SC513113



### DESCRIPTION

VIDEO AVAILABLE