

## DAF 6X2 EURO 6 2018AUTOMATIC

### COMMON

|               |                          |
|---------------|--------------------------|
| Price         | € 34.950,- ex VAT        |
| Id            | DA192499 + MVSL4247      |
| Make          | DAF                      |
| Type          | 6X2 EURO 6 2018AUTOMATIC |
| Year          | 2018                     |
| Mileage       | 653.138 km               |
| Construction  | Curtain sided            |
| Gross weight  | 28.000 kg                |
| Emissionclass | 6                        |

### PROPERTIES

|                                 |                   |
|---------------------------------|-------------------|
| First registration date         | 01-01-2018        |
| Fuel                            | Diesel            |
| Transmission                    | Automatic         |
| Vehicle identification number   | XLRASH4300G192499 |
| Axle configuration              | 6x2               |
| Axle count                      | 3                 |
| Weight                          | 11.930 kg         |
| Cylinder count                  | 6                 |
| Power kw                        | 353               |
| Power hp                        | 480               |
| Construction dimensions (l/b/h) |                   |
| Load capacity                   | 16.070 kg         |

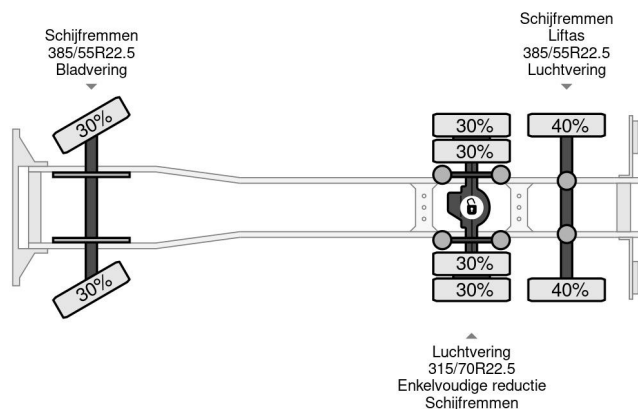
### ACCESSORIES

- Air conditioning
- Anti-lock braking system
- Anti-lock braking system
- Central locking
- Coupling
- Cruise control
- Electrically adjustable door mirrors
- Electrically operated windows
- Fog lights
- Heavy duty engine brake
- Navigation system
- Radio/CD player
- Refrigerator
- Remote central locking
- Roof spoiler
- Sleeper cab
- Speed limiter
- Spoilers
- Spotlights
- Toolbox
- Vehicle heater
- Visor



DAF XF 480 6X2 EURO 6 2018AUTOMATIC

Referentienummer: DA192499 + MVSL4247



### DESCRIPTION

VIDEO AVAILABLE