

Mercedes-Benz 6X2 - EURO 6 + CHEREAU HANGER 2 AXLE - 2014 YEAR + APK 11-2024

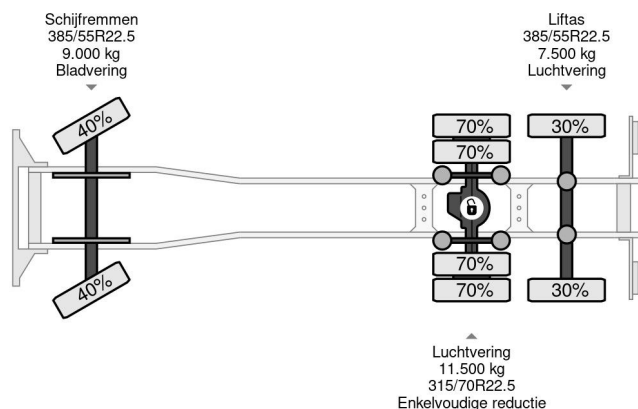
COMMON

Price	On request ex VAT
Id	MB832681-2
Make	Mercedes-Benz
Type	6X2 - EURO 6 + CHEREAU HANGER 2 AXLE - 2014 YEAR + APK 11-2024
Year	2014
Mileage	879.983 km
Construction	Refrigerated/freezer transport
Gross weight	26.000 kg
Emissionclass	6



Mercedes-Benz Actros 2643 6X2 - EURO 6 + CHEREAU HA...

Referentienummer: MB832681-2



PROPERTIES

First registration date	02-07-2014
Mot expiry date	07-12-2024
License plate	68-BPZ-6
Fuel	Diesel
Transmission	Automatic
Vehicle identification number	WDB9630201L832681
Axle configuration	6x2
Axle count	3
Weight	14.027 kg
Cylinder count	6
Power kw	315
Power hp	428
Wheelbase	625 cm
Construction dimensions (l/b/h)	
Load capacity	11.973 kg
Length	1.028 cm
Width	260 cm

ACCESSORIES

DESCRIPTION

HANGER CHEREAU 2 AXLE - 2014 YEAR
APK 11-2024
FIRST AXLE 315/70R22.5 30%
SECOND AXLE 315/70R22.5 30%