

## MAN XLX 6X2 EURO 5 - BDF CHASSIS + RETARDER

### COMMON

Price	€ 13.950,- ex VAT
Id	MA182575-2
Make	MAN
Type	XLX 6X2 EURO 5 - BDF CHASSIS + RETARDER
Year	2013
Mileage	1.087.176 km
Construction	BDF System
Gross weight	26.000 kg
Emissionclass	5

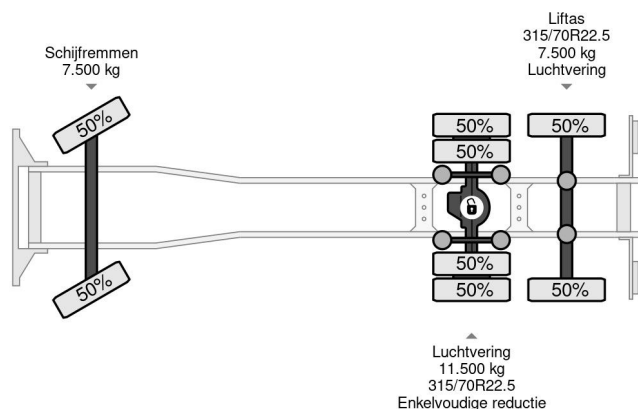


MAN TGX 26.440 XLX 6X2 EURO 5 - BDF CHASSIS + RET...

Referentienummer: MA182575-2

### PROPERTIES

First registration date	27-02-2013
Fuel	Diesel
Transmission	Automatic
Vehicle identification number	WMA21XZZ7DW182575
Axle configuration	6x2
Axle count	3
Weight	9.260 kg
Power kw	324
Power hp	440
Construction dimensions (l/b/h)	
Load capacity	16.740 kg



### ACCESSORIES

- Air conditioning • Air suspension • Aluminium fuel tank
- Anti-lock braking system • Anti-lock braking system
- Central locking • Coupling • Cruise control • Electrically adjustable door mirrors • Electrically operated windows
- Fog lights • Heavy duty engine brake • Navigation system
- Radio/CD player • Refrigerator • Retarder • Roof spoiler
- Sleeper cab • Speed limiter • Toolbox • Twin fuel tank
- Vehicle heater • Visor

### DESCRIPTION