

DAF 6X2 + MKG 141 A2 CRANE + 20 TON HOOKLIFT - EURO 3 - MANUAL GEAR - 10 TYRES

COMMON

Price	€ 20.950,- ex VAT
Id	DA672720-K
Make	DAF
Type	6X2 + MKG 141 A2 CRANE + 20 TON HOOKLIFT - EURO 3 - MANUAL GEAR - 10 TYRES
Year	2005
Mileage	935.421 km
Construction	Crane
Gross weight	26.000 kg
Emissionclass	3

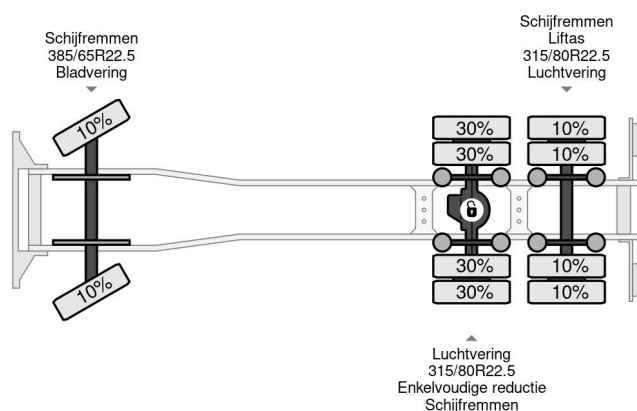


DAF CF 85.380 6X2 + MKG 141 A2 CRANE + 20 TON HOOK...

Referentienummer: DA672720-K

PROPERTIES

First registration date	06-04-2005
Fuel	Diesel
Transmission	Manual
Vehicle identification number	XLRAS85XC0E672720
Axle configuration	6x2
Axle count	3
Weight	13.050 kg
Load capacity	12.950 kg



ACCESSORIES

- Air conditioning
- Aluminium fuel tank
- Anti-lock braking system
- Anti-lock braking system
- Central locking
- Coupling
- Cruise control
- Electrically operated windows
- Fog lights
- Power take-off (PTO)
- PTO
- Radio/CD player
- Speed limiter
- Spotlights
- Toolbox
- Visor

DESCRIPTION